

# Grinding clamping equipment "MR 75 - 100"



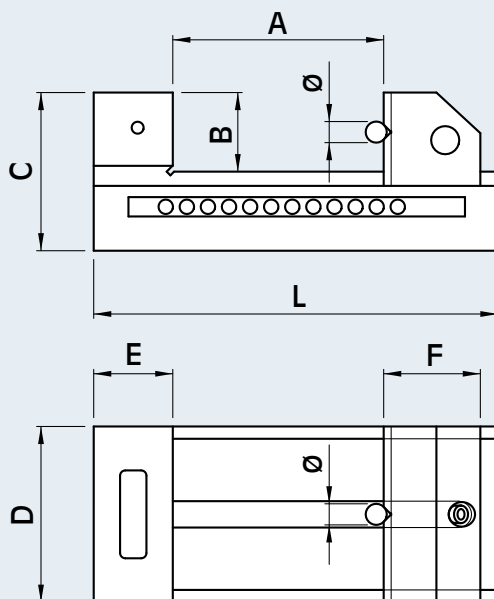
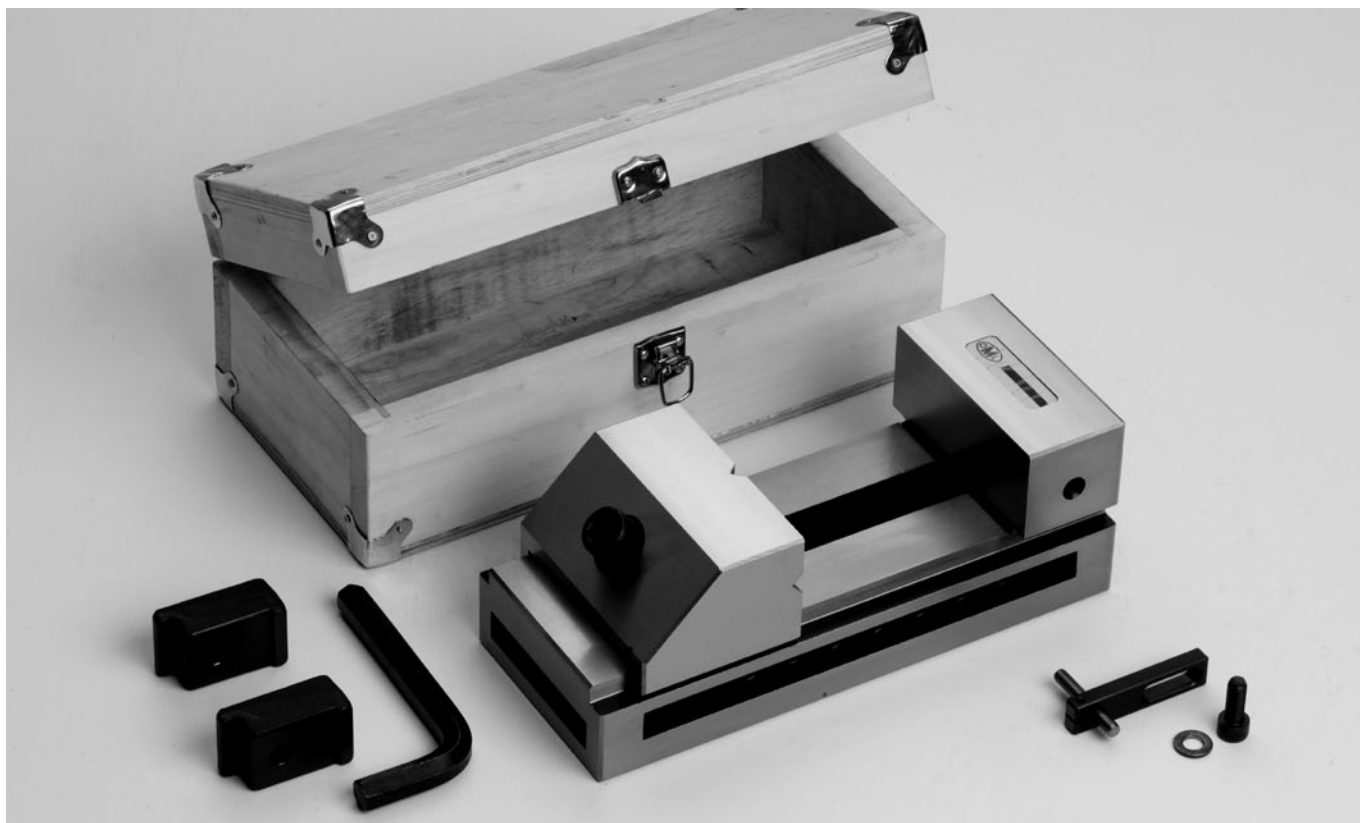
**MR 75 - 100**

pag. 8 . 2



# MR 75-100

## grinding clamping equipment



Clamping equipment produced completely in hardened steel 60 HRC and precision ground suitable for any type of working of grinding, EDM, milling.

The standard outfit includes: pair of clamps, clamping plate, wrench, wooden packing case.

Cod.	Type	A	B	C	D	E	F	L	Ø		Weight kg
		mm	mm	mm	mm	mm	mm	mm	MIN mm	MAX mm	
77 58 38 01	MR 75	94	35	70	75	35	55	190	2,5	5,2	4,5
77 58 39 01	MR 100	120	45	90	100	47	72,8	245	4	8,2	9

Type	Parallelism / 100 mm	Angular accuracy
MR 75	0,004	± 0,004
MR 100	0,005	± 0,005